

Weatherproof Absorbers

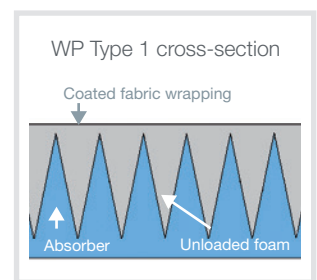
WP Series



WP Type 2



WP Type 1



WP Type 1 cross-section

SOLUTION FOR

- Open area test sites

Main features

- Withstands harsh outdoor conditions
- Resistant to UV rays, mildew, rot and abrasion
- Lifespan - up to 5 years for Type 1 and 5 - 10 years for Type 2

Product configuration

Shape

- Type 1: Pyramidal, wedge, convoluted, and laminated
- Type 2: All absorber configurations available

Frequency band

- From 125 MHz to 18 GHz

Standard base size

- 2' x 2' (60.96 cm x 60.96 cm)

Height

- 4" to 36" (10.2 cm to 91.4 cm)
- Type 2 up to 96" (243.8 cm)

Operating conditions

- From 0° to 200° F (-18° C to 93° C)

Indoor/outdoor

- Outdoor & indoor

Treatment

- Type 1: Wrapped with a weather resistant/ vinyl-nylon based cloth coating
- Type 2: Rubberized coating

Related certifications

- FS 191-5903
- MIL-C-43006
- NRL 8093 - 1, 2, 3

Description of Type 1

Type 1 material is more physically robust. A standard pyramidal foam absorber is the base product. A low loss, unloaded front wedge is matched to the absorber, producing a rectangular shape.

The mating absorber “block” is then covered with a nylon-based textile that has high tear, mildew and UV resistance, and superior abrasion resistance. All seams are glued with a vinyl adhesive and all side seams are stitched to ensure long-term durability. This material expands and contracts with the cold and heat, and in high heat areas, a relief vent is often added. Weatherproof Type 1 is intended for harsh use and is designed to withstand much more wear and tear and repeated handling than regular absorber. Type 1 is not waterproof and while it will resist some rain, it is recommended to store it under cover during storms or heavy rain. These materials can withstand UV and very harsh weather conditions and have a life span of 1 to 5 years, depending on use and the local environmental conditions. Storing the materials in a covered area when not in use can increase the life expectancy.

Specifications Type 1

		AEP-4-WP1	AEP-6-WP1	AEP-8-WP1	AEP-12-WP1	AEP-18-WP1	AEP-24-WP1	AEP-36-WP1
Height	in	4	6	8	12	18	24	36
	cm	10.2	15.2	20.3	30.5	45.7	61	91.4
Absorption @ Normal Incidence	@ 500 MHz					20	25	27
	@ 1.0 GHz			20	25	27	30	32
	@ 3.0 GHz	20	23	27	30	35	35	40
	@ 6.0 GHz	25	27	35	35	40	40	40
	@ 10.0 GHz	30	30	40	40	40	40	40
	@ 15.0 GHz	35	40	40	40	40	40	40
	@ 18.0 GHz	40	40	40	40	40	40	40
	Up to 40 GHz	30	30	30	30	30	30	30
Power	Watt/in ²	0.5	0.5	0.5	0.5	0.5	0.5	0.5
	Watt/m ²	775	775	775	775	775	775	775
Weight	lbs/pc.	1.2	1.5	2	2.5	3.5	4	7
	kg/pc.	0.5	0.7	0.9	1.1	1.6	1.8	3.2

Description of Type 2

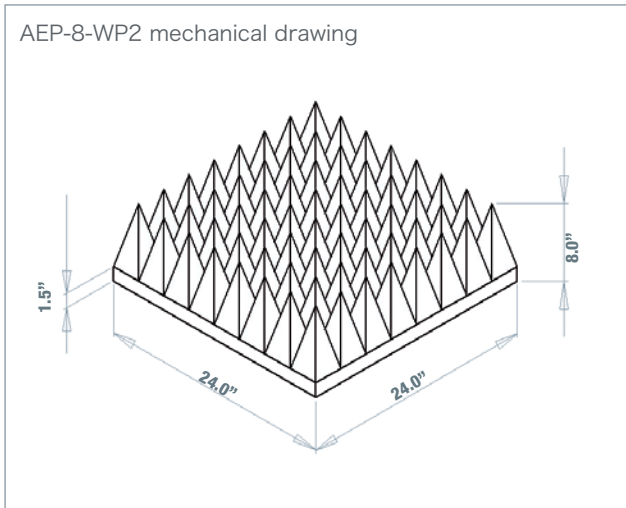
Type 2 utilizes AEMI's rubberized coating technology, which is electrically neutral and therefore up to 10 dB better than any other weatherproof absorber on the market. Type 2 treatment provides a moisture barrier that is fully weatherproof, resistant to chemicals, fluids and petroleum while also being abrasion and puncture resistant. Type 2 can be permanently mounted, and the life expectancy of Type 2 will be increased if stored inside when not in use.

The rubberized treatment is applied to all sides of WP2, including the bottom. Due to this, it is rated for class 10,000 clean room environments.

Specifications Type 2

		AEP-4-WP2	AEP-6-WP2	AEP-8-WP2	AEP-12-WP2	AEP-18-WP2	AEP-24-WP2	AEP-36-WP2
Height	in	4	6	8	12	18	24	36
	cm	10.2	15.2	20.3	30.5	45.7	61	91.4
Absorption @ Normal Incidence	@ 500 MHz					30	35	37
	@ 1.0 GHz			30	35	37	40	42
	@ 3.0 GHz	30	33	37	40	45	45	50
	@ 6.0 GHz	35	37	45	45	50	50	50
	@ 10.0 GHz	40	40	50	50	50	50	50
	@ 15.0 GHz	45	50	50	50	50	50	50
	@ 18.0 GHz	50	50	50	50	50	50	50
	Up to 40 GHz	40	40	40	40	40	40	40
Power	Watt/in ²	0.5	0.5	0.5	0.5	0.5	0.5	0.5
	Watt/m ²	775	775	775	775	775	775	775
Weight	lbs/pc.	2.2	2.5	3	3.5	5	5.5	8.5
	kg/pc.	1	1.1	1.4	1.6	2.3	2.5	3.9

AEP-8-WP2 mechanical drawing



STANDARD COLORS

- Yellow
- Red
- Blue

Custom color matching is available upon request.

ORDERING CODE

- Type 1: AEP-XX-WP1, where XX designates absorber height in inches
- Type 2: AEP-XX-WP2, where XX designates absorber height in inches



Powered by



Contact your local sales representative for more information

www.mvg-world.com

salesteam@mvg-world.com