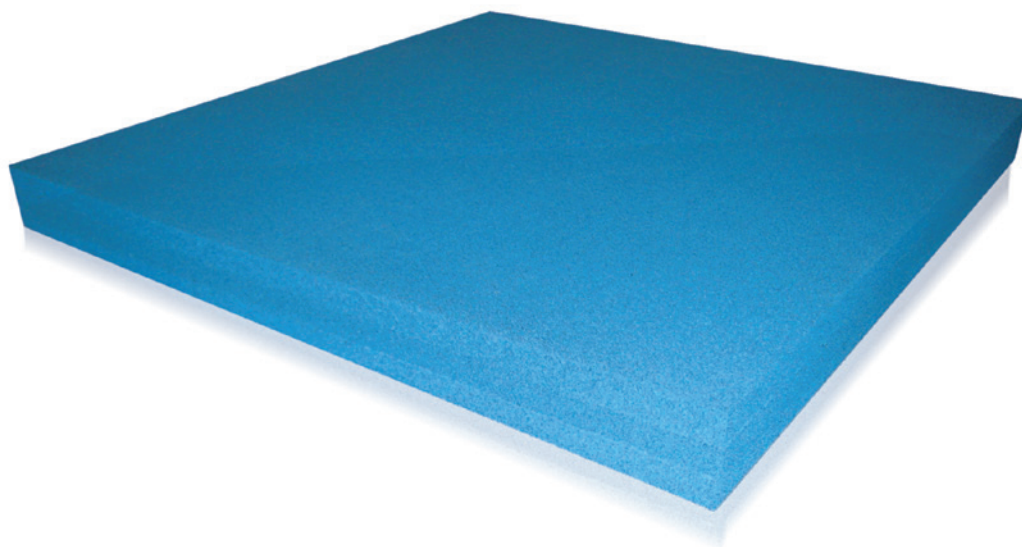


Laminated Absorbers - AEL Series



AEL-0.75

SOLUTION FOR

- Test Boxes, Small Enclosures
- Wrapping Masts / Structures
- Shadowing Obstacles

Main features

- Lightweight, Flexible, Wrappable
- Graded Dielectric Loading

Product configuration

Shape

- Flat

Frequency band

- From 400 MHz to 40 GHz and above

Standard base size

- 2' x 2' (60.96 cm x 60.96 cm)

Height

- 0.25" to 9" (0.6 cm to 22.9 cm)

Operating conditions

- Temperature: 70°F +/-5° (21°C +/-3°)
- Relative humidity: 55% RH +/-15%

Indoor/outdoor

- Indoor

Description

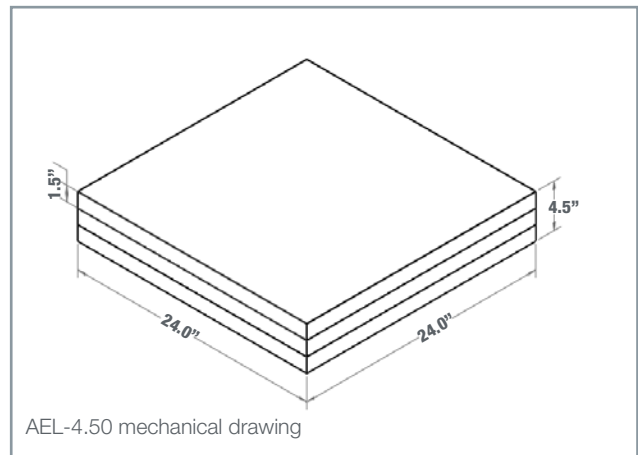
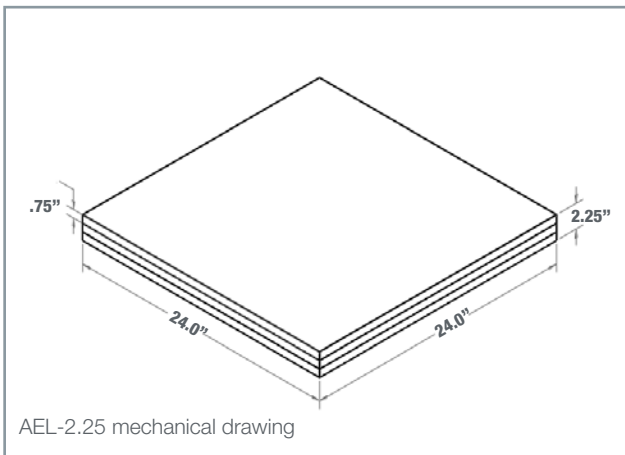
AEL series absorbers are high performance multi-layer, lightweight, flat, laminated radar absorbers. These products are made from open cell polyurethane foam layers which are specially impregnated and laminated with flexible adhesives and latex. Consequently, the laminated absorber below 1" of thickness can be used to wrap around equipment or pipes and can be cut with a sharp blade or scissors, and bonded with contact adhesive for a strong, permanent bond. It is recommended to ask AEMI to pre-shape thicker laminated absorbers at the factory. The absorber should be backed by a reflective surface. For optimum performance, AEMI can provide an optional conductive backing, if requested.



Increase durability & lifespan by adding our rubberized coating!

ORDERING CODE

- AEL-XX, where XX designates absorber height in inches



Specifications

		AEL-0.25	AEL-0.375	AEL-0.75	AEL-1.125	AEL-2.25	AEL-4.5	AEL-9.0
Height	in	0.25	0.375	0.75	1.125	2.25	4.5	9.0
	cm	0.64	0.95	1.9	2.86	5.72	11.43	22.86
Design Frequency	GHz	> 18	> 7.5	> 3.5	> 2.5	> 1.3	> 0.6	> 0.4
Absorption @ Normal Incidence	dB	> -20	> -20	> -20	> -20	> -20	> -20	> -20
Weight	lbs/pc.	0.5	0.75	1.25	1.9	3.65	5.1	11.65
	kg/pc.	0.23	0.34	0.57	0.86	1.66	2.31	5.28



Contact your local sales representative for more information

salesteam@mvg-world.com

www.mvg-world.com/absorbers