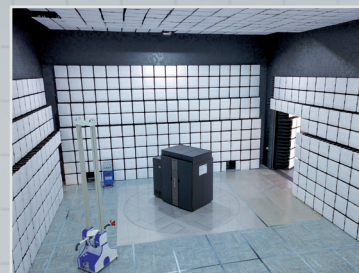
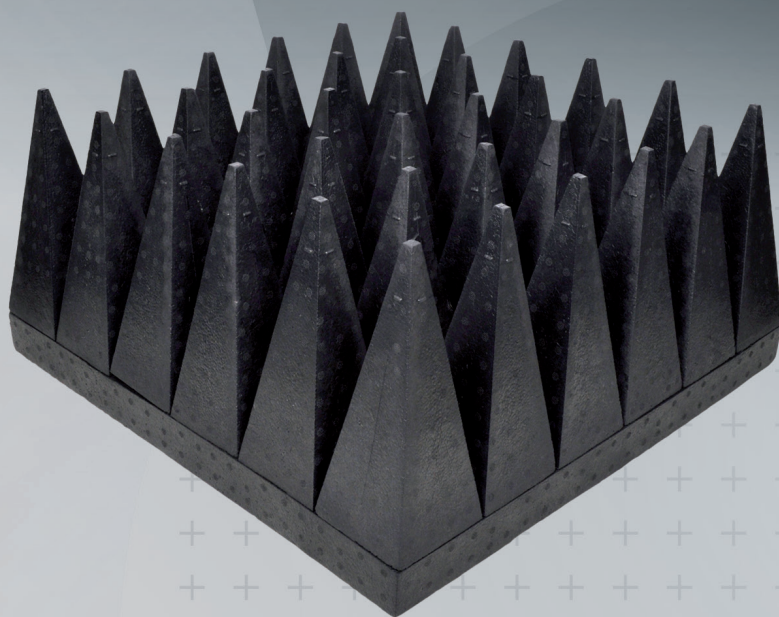


HyPyr-Loss™ Ultra Broadband Absorbers



SOLUTION FOR

- Antenna Measurement Chambers
- EMC Chambers used for MIL-STD-461 and some ETSI and CISPR25 applications
- Combination EMC/Antenna measurement facilities
- EMC Floor treatment for SVSWR

MAIN FEATURES

- Excellent broadband performance
- High uniformity and isotropy
- Repeatable and accurate results
- Clean-room compatible
- Durable and long-lasting (up to 35 years)

PRODUCT CONFIGURATION

Shape

- Broadband Pyramid Absorber

Material

- Polypropylene

Frequency band

- From 80 MHz to 40 GHz

Standard base size

- 1.97' x 1.97' (60 x 60 cm)

Height

- 10 cm, 20 cm, 30 cm, 50 cm & 75 cm

Operating conditions

- Temperature: up to 90°C
- Relative Humidity: 50% RH +/- 10%

Indoor/outdoor

- Indoor/Outdoor

Broadband Absorber Technology

ULTRA UHC series polypropylene based Broadband electromagnetic absorbers are the latest technology for RF test applications. The polypropylene material has a highly uniform carbon density, throughout the material, which provides for more predictable results with no discontinuities. It is the unique production technology which is the critical factor in achieving the highest electromagnetic reflectivity performance in an RF anechoic test chamber. UHC series absorbers are accurately produced by using precise molding techniques that ensure all products have the same shape and size, which is a very important feature for fast installation and, a high-quality finish to the chamber interior. The UHC series includes several different model dimensions from 10 cm deep through to 75 cm deep.

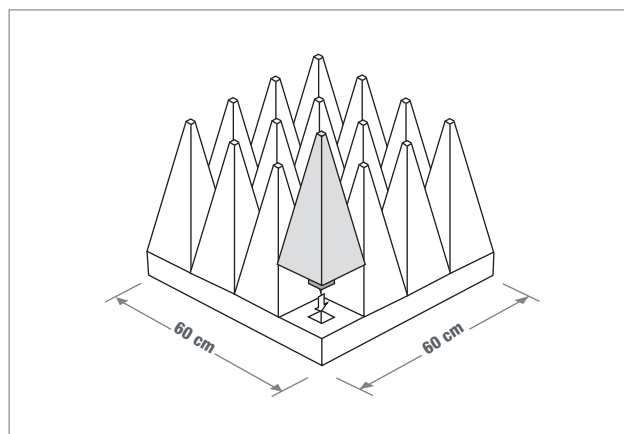
This enables optimized reflectivity performance for each area of the chamber with cost effective layouts. The UHC series provides an exceptional wideband performance for RF measurement Anechoic chambers in the frequency range from 80 MHz to 40 GHz and above.



MVG offers a full array of high-performance absorber materials specifically designed to meet the increased performance demands of today's RF measurement environments. The HyPyr-Loss™, UHC, product line includes a range of broadband absorbers that satisfy the requirements of antenna measurement facilities. In addition, these high-performance absorbers offer solutions for EMC applications particularly where higher frequency (1-40 GHz) optimization is required. Ask our design engineers to help you select the right absorber for your application.

The benefits of ULTRA UHC Polypropylene Absorbers

- Super Wideband Electromagnetic Absorber performance
- High Quality and cost effective
- Lightweight and Strong (maintains shape)
- Superior Product Lifetime (over 35 years)
- Optimum layout into corners with 10 cm & 20 cm absorber
- Impervious to Changes in Humidity (non-hygroscopic)
- Modular and Easy to Install
- Optimum Isotropy (uniformity in all orientations)
- Extremely Low Maintenance
- Eco-friendly Green Products



ORDERING CODE

UHCXX, where **XX** designates absorber height in cm

Specifications

		UHC30	UHC50	UHC50TR	UHC75
Height	cm	30	50	50	75
Absorption @ Normal Incidence	@ 80 MHz	1	4	6	10
	@ 100 MHz	2	7	12	17
	@ 300 MHz	19	30	22	30
	@ 500 MHz	28	37	22	37
	@ 700 MHz	33	38	23	38
	@ 1 GHz	35	40	23	40
	@ 3 GHz	40	40	30	45
	@ 6 GHz	40	45	33	45
	@ 10 GHz	40	45	26	45
	@ 13 GHz	40	45	25	45
@ 18 GHz	40	40	25	40	
@ 40 GHz	40	40	25	40	
RF Power handling		1.5 kW/m ² or 750 W/m			
Weight	kg	2.84	3.89	4.17	5.46
No. of Pyramid points		36	16	9	9
Fire retardancy		DIN4102 Class B2, UL94HBF			
Clean room standard		ISO14644 Class 4			
UV certification		ISO 4892-2:2013			
Max Power Handling information		0.775 kW/m ² continuous and 1.5 kW/m ² pulsed			

Product note: We offer 10 cm & 20 cm deep absorber models for corner optimisation and general application. The 10 cm deep model is offered in 30 cm x 30 cm base footprint size and 60 cm x 60 cm. The 20 cm material is available in the 60 cm x 60 cm base size.

Walkaway absorbers and White reflective caps are also available.



For more information:
www.mvg-world.com/absorbers

Contact us:
www.mvg-world.com/en/contact

