

Walkway Absorbers - AEWV Series



AEVV-18



Walkway Steps

SOLUTION FOR

- Interior Chamber Access
- Safe Ingress and Egress Pathways

Main features

- Excellent Load Bearing / Wear Resistance
- Broadband Frequency Performance

Product configuration

Shape

- Flat
- Custom

Frequency band

- From 250 MHz to 30 GHz

Standard base size

- 2' x 2' (60.96 cm x 60.96 cm)

Height

- Standard: 4" to 24" (10.2 cm to 61 cm)
- Custom sizes available up to 72"

Operating conditions

- Temperature: 70°F +/-5° (21°C +/-3°)
- Relative humidity: 55% RH +/-15%

Indoor/outdoor

- Indoor

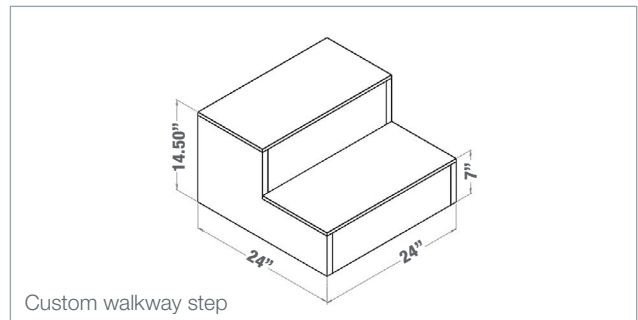
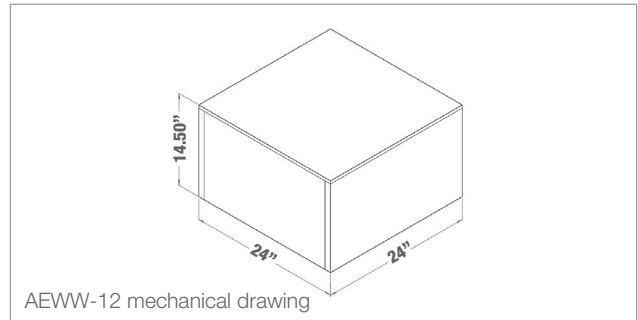
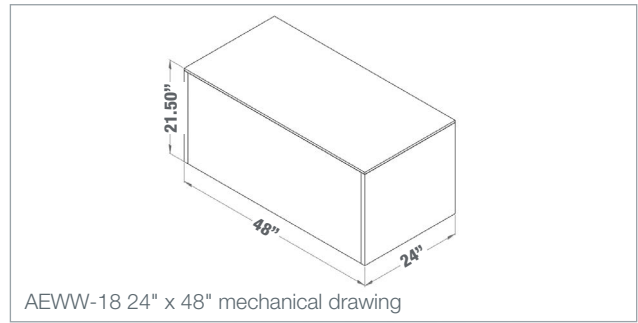
Description

AEMI's broadband walkway RF absorber is composed of a polystyrene core placed in an interlocking pattern over a standard AEP type material. This structure is topped with a higher density polystyrene laminate. The AEWV materials offer excellent load bearing and wear characteristics. The material's ability to withstand higher loads than most walkway materials is due to the construction technique.

The standard Walkway absorbers are available in 24"x24" or 24"x48" footprint dimensions. Custom sizes and shapes can be provided. The walkway absorber is taller than standard absorber. We generally recommend using walkways one size smaller than surrounding absorbers. Typical reflectivity data can be provided upon request.

ORDERING CODE

- AEWV-XX, where XX designates internal absorber height in inches



Specifications

		AEVV-4	AEVV-8	AEVV-12	AEVV-18	AEVV-24
Internal Height	in	4	8	12	18	24
	cm	10.2	20.3	30.5	45.7	61
Size	in	24 x 24 x 5.5	24 x 24 x 9.5	24 x 24 x 14.5	24 x 24 x 21.5	24 x 24 x 29.5
	cm	61 x 61 x 14	61 x 61 x 24.1	61 x 61 x 36.8	61 x 61 x 54.6	61 x 61 x 74.9
Power	Watt/in ²	0.5	0.5	0.5	0.5	0.5
	Watt/m ²	775	775	775	775	775
Weight	lbs/pc.	5.5	7	9	17.5	21.5
	kg/pc.	2.5	3.2	4.1	7.9	9.8
Load capacity	lbs/pc.	300	300	300	400	400
	kg/pc.	136	136	136	181	181



Contact your local sales representative for more information
www.mvg-world.com/absorbers
salesteam@mvg-world.com