

Wedge Absorbers - AEW Series



AEW-24

SOLUTION FOR

- Tapered Chambers
- Compact Ranges

Main features

- Direct RF Energy Path
- Polarization Sensitive

Product configuration

Shape

- Wedge

Frequency band

- From 125 MHz to 18 GHz

Standard base size

- 2' x 2' (60.96 cm x 60.96 cm)
- 2' x 4' (60.96 cm x 121.92 cm)

Height

- 4" to 48" (10.2 cm to 121.9 cm)

Operating conditions

- Temperature: 70°F +/-5° (21°C +/-3°)
- Relative humidity: 55% RH +/-15%

Indoor/outdoor

- Indoor

Description

AEMI manufactures a full line of wedge materials to complement our pyramidal absorbers. The wedge anechoic performance matches those of the pyramids, except that they are polarization sensitive.

These materials are used to direct energy in a given path so that it can be efficiently absorbed by large, high performance materials.

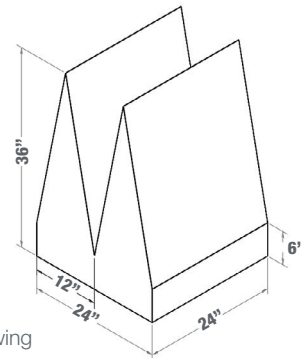
The coating of these absorbers does not affect the RF performances.

ORDERING CODE

- AEW-XX, where XX designates absorber height in inches



Increase durability & lifespan by adding our rubberized coating!



AEW-36
mechanical drawing

Specifications

		AEW-4	AEW-6	AEW-8	AEW-12	AEW-18	AEW-24	AEW-36	AEW-48
Height	in	4	6	8	12	18	24	36	48
	cm	10.2	15.2	20.3	30.5	45.7	61	91.4	122
Wedges	per block	12	12	8	6	4	3	2	2
Absorption @ Normal Incidence	@ 125 MHz								20
	@ 250 MHz						20	22	27
	@ 500 MHz					21	23	27	32
	@ 1.0 GHz			23	24	26	29	32	37
	@ 3.0 GHz	27	30	34	37	42	42	47	47
	@ 6.0 GHz	32	34	42	42	47	47	47	47
	@ 10.0 GHz	37	37	47	47	47	47	47	47
	@ 15.0 GHz	42	47	47	47	47	47	47	47
	@ 18.0 GHz	47	47	47	47	47	47	47	47
Power	Watt/in ²	0.5	0.5	0.5	0.5	0.5	0.5	0.5	0.5
	Watt/m ²	775	775	775	775	775	775	775	775
Weight	lbs/pc.	2.5	4.5	6	8	12	16	25	31
	kg/pc.	1.1	2	2.7	3.6	5.4	7.3	11.3	14



Contact your local sales representative for more information
www.mvg-world.com/absorbers
salesteam@mvg-world.com